



Hardware Catalogue

Door and Window
Standard and Upgrade Options



CONTENTS

DOORS

Hinge Door Handle Options

- ❖ Standard Option P3
- ❖ Upgrade Options P4 - P12

Sliding Door Handle Options

- ❖ Standard Option P1
- ❖ Upgrade Options P13 – 18

WINDOWS

- ❖ Standard Option P21
- ❖ Upgrade Options P23 – 30
- ❖ Savio Handle P31
- ❖ Window Lock P32

HINGE DOOR

Giesse Handle

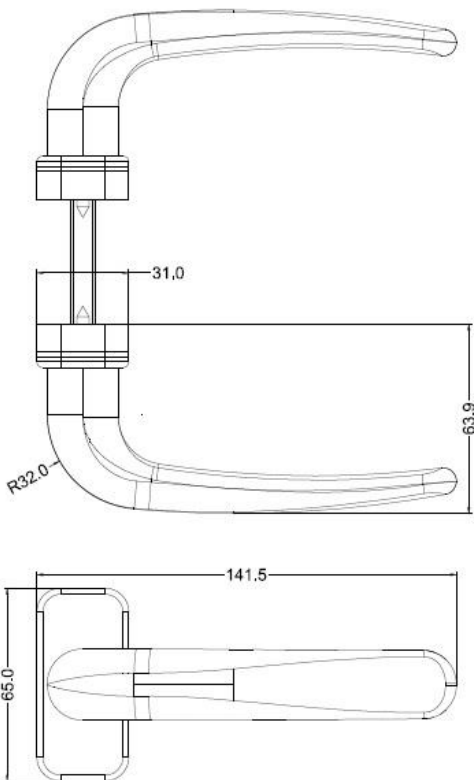
Standard hardware option

Sourced from Italy, the Giesse is Thermeco's standard hinge door handle option. Its slightly curved and sophisticated design makes it a timeless feature to any Thermeco door.



Giesse

by Giesse (STANDARD)



Product Code

Giesse-02472

Door Type

Hinge

Options

Available with Key Lock

Upgrade Option

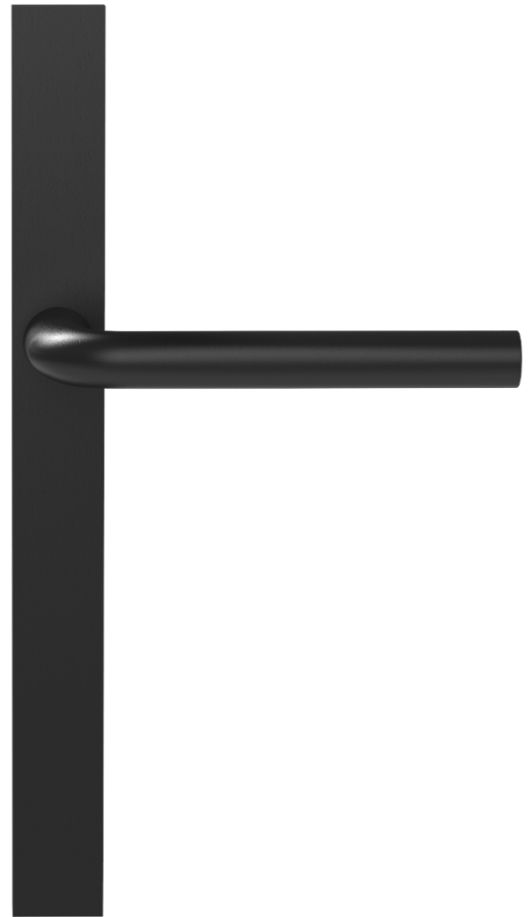
Designer Doorware Escutcheon
See page 17

Colour

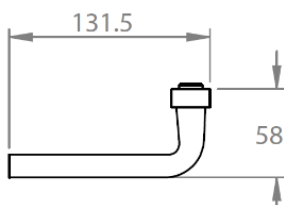
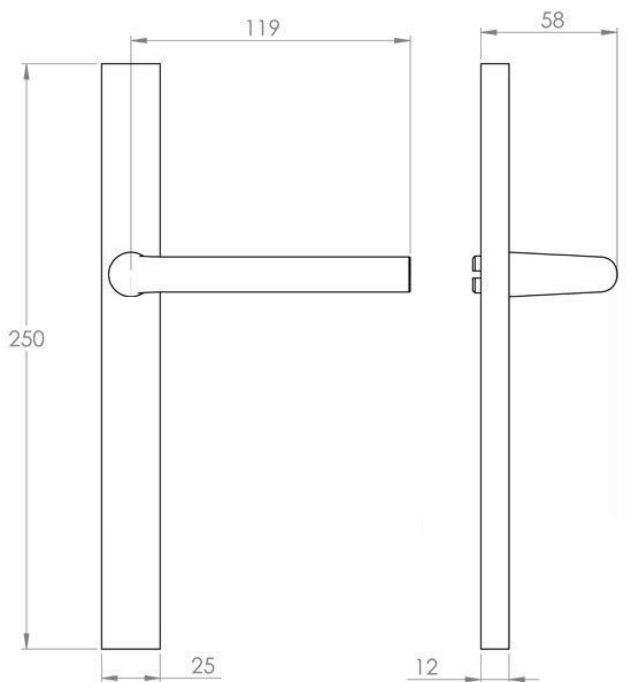
Available in Black or Silver only

Lodden on Euro narrow stile plates 60 series

Simple, minimal and streamlined, the Lodden cylindrical door handle offers a classic style to any door. Mounted on a slimline, rectangular plate that brings a contemporary added feature to your door.



Lodden



Product Code

LO-PS60

Door Type

Hinge

Material

Brass

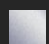
Dimensions

Overall 250h x 131.5w x 58d mm

Options

Available with or without keyhole

Colour

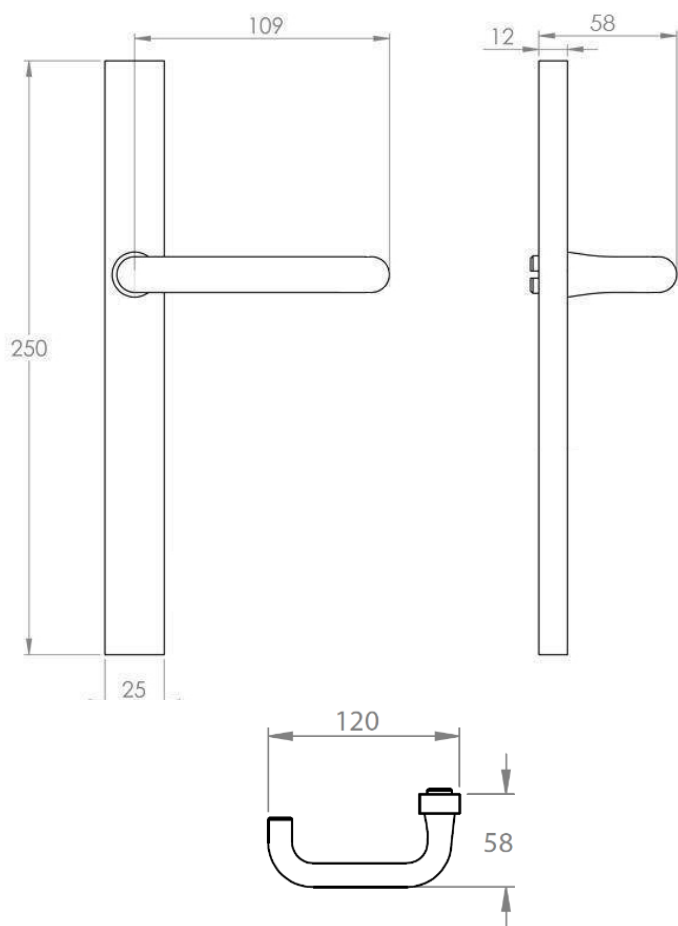
Available in Satin Chrome 
or powder coat to match door

Daniela on Euro narrow stile plates 60 series

D-shaped style and highly functional, the Daniela lever door handle is perfectly suited to work place environments and designed for maximum comfort, efficiency, safety and ease of use. Mounted on a slimline, rectangular plate, it gives a contemporary added feature to your doors.



Daniela



Product Code

DA-PS60

Door Type

Hinge

Material

Brass

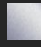
Dimensions

Overall 250h x 131.5w x 58d mm

Options

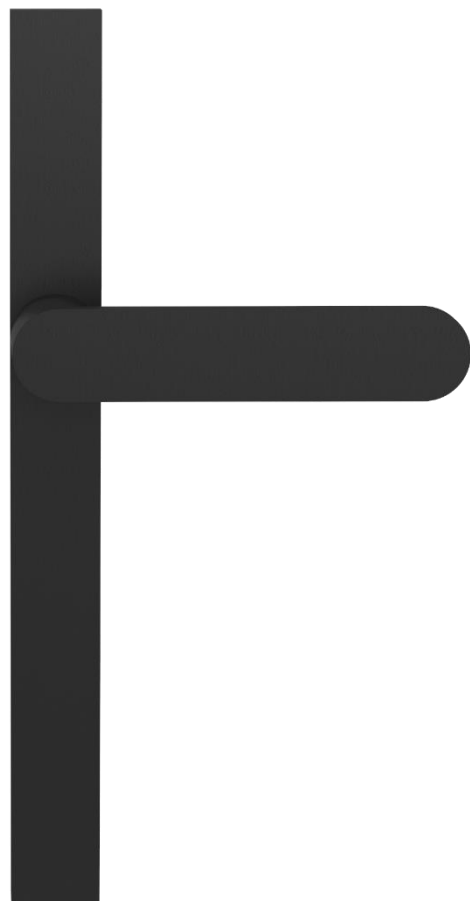
Available with or without keyhole

Colour

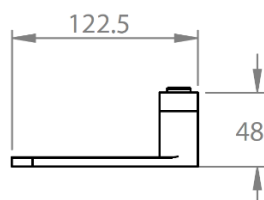
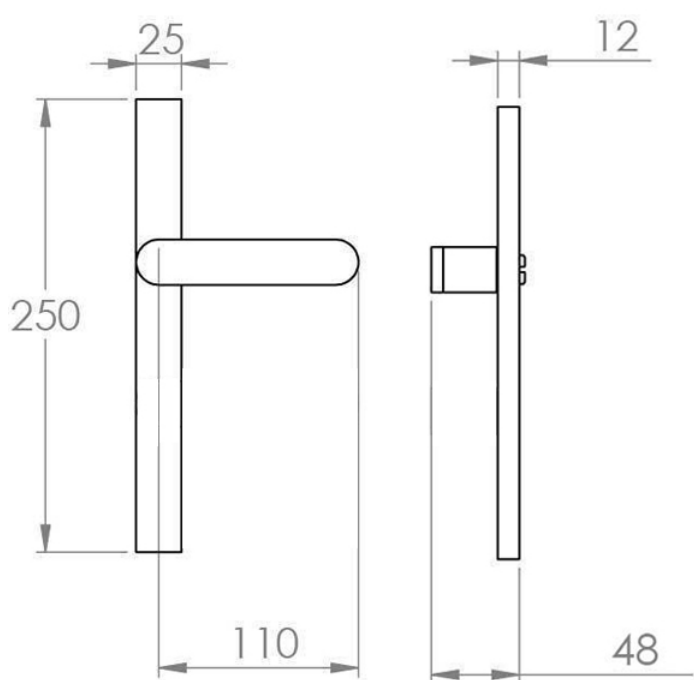
Available in Satin Chrome 
or powder coat to match door finish

Club on Euro narrow stile plates 60 series

Inheriting design pedigree from the Duo and Quad range, the Club lever blends soft contours with bold lines to add a sophisticated look to your doors.



Club



Product Code

CL-PS60

Door Type

Hinge Door

Material

Brass

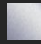
Dimensions

Overall 250h x 122.5w x 48.5 mm

Options

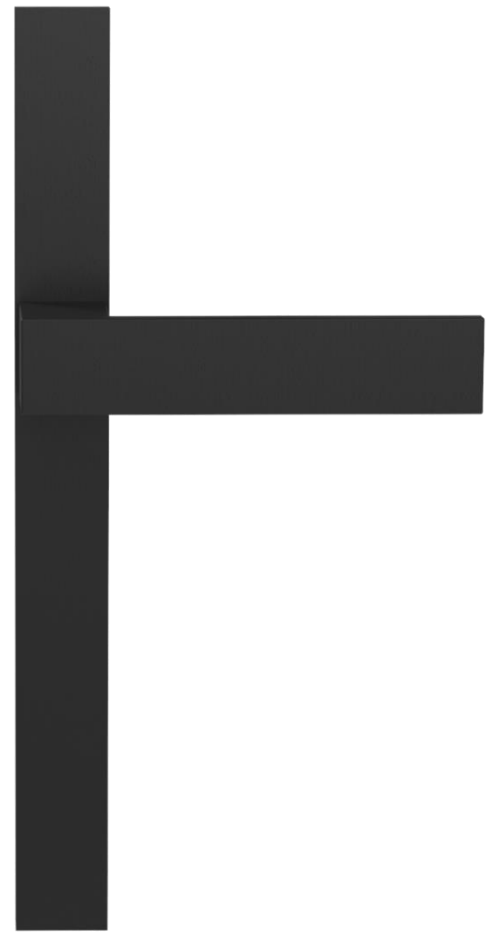
Available with or without keyhole

Colour

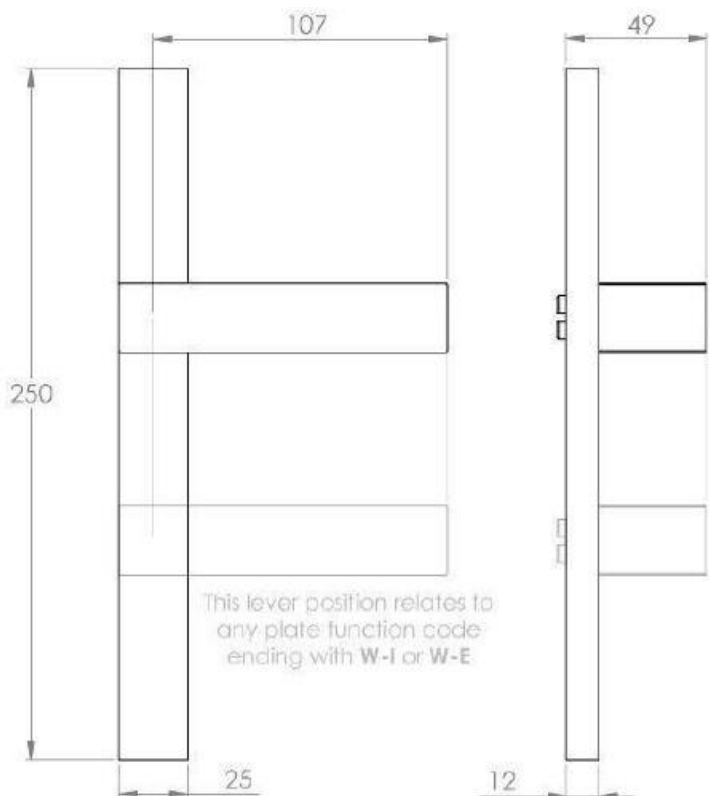
Available in Satin Chrome 
or powder coat to match door finish

Quad on Euro narrow stile plates 60 series

Cutting-edge with its sleek, square lines and confident appearance, the Quad lever door handle mounted on a slimline, rectangular plate gives a stunning modern feature to your doors.



Quad



Product Code

QU-PS60

Door Type

Hinge Door

Material

Brass

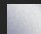
Dimensions

Overall 250h x 119.5w x 51d mm

Options

Available with or without keyhole

Colour

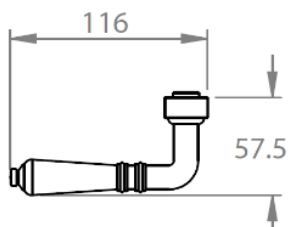
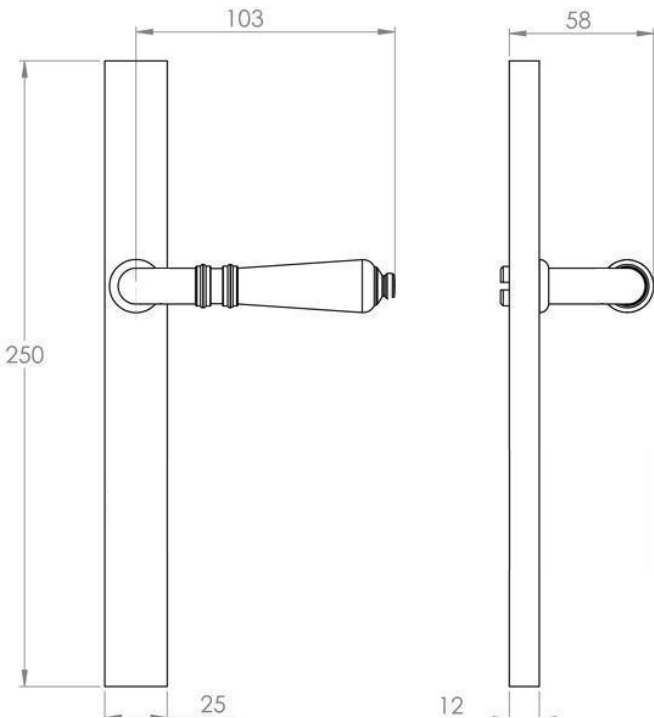
Available in Satin Chrome 
or powder coat to match door finish

Giulietta on Euro narrow stile plates 60 series

Traditionally sculptured and detailed in design, the Giulietta lever door handle offers sophisticated styled mounted on a slimline, rectangular contemporary backplate that gives an added feature to your doors.



Giulietta



Product Code

GI-PS60

Door Type

Hinge Door

Material

Brass

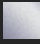
Dimensions

Overall 250h x 115.5w x 58d mm

Options

Available with or without keyhole

Colour

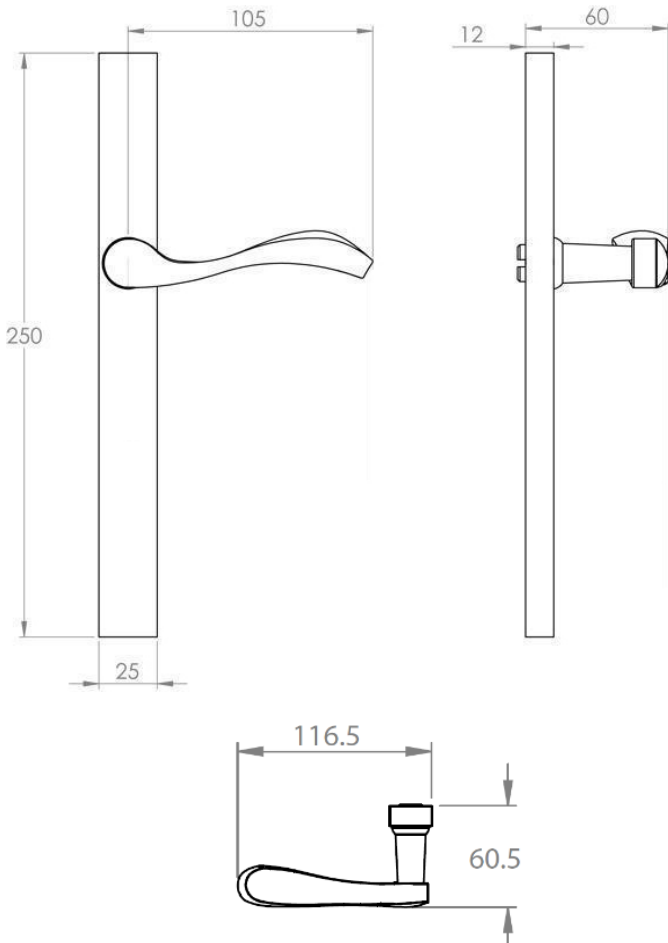
Available in Satin Chrome 
or powder coat to match door finish

Cilla on Euro narrow stile plates 60 series

Classic and stylish, the Cilla curved lever door handle with a contemporary edge mounted on a slimline, rectangular plate that gives an added feature to your doors.



Cilla



Product Code

CI-PS60

Door Type

Hinge Door

Material

Brass

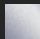
Dimensions

Overall 250h x 117.5w x 60d mm

Options

Available with or without keyhole

Colour

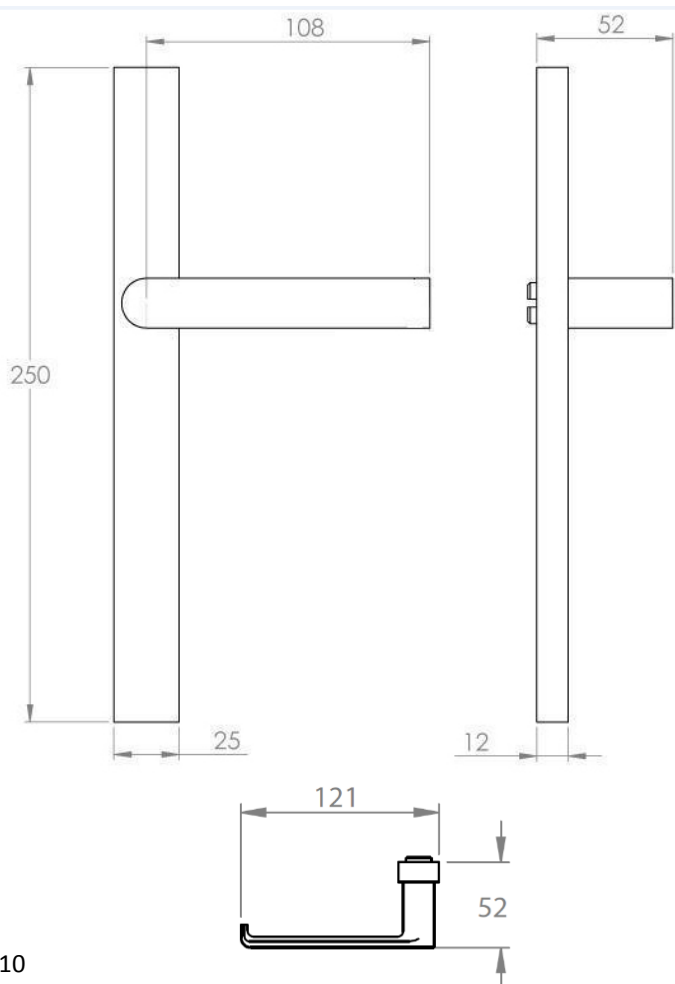
Available in Satin Chrome 
or powder coat to match door finish

Prisma on Euro narrow stile plates 60 series

A clean-cut, streamlined handle with curved lines creating a soft shape, the Prisma lever door handle brings a highly appealing aesthetic value and functionality to suit any design theme. Mounted on a slimline, rectangular plate, it gives a stunning feature to your doors.



Prisma



Product Code

PR-PS60

Door Type

Hinge Door

Material

Brass

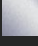
Dimensions

Overall 250h x 121w x 52d mm

Options

Available with or without keyhole

Colour

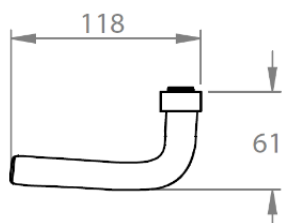
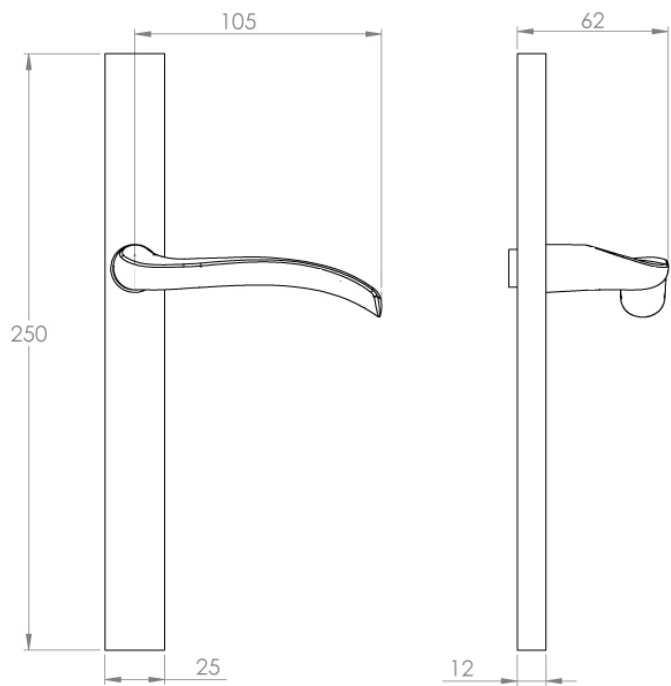
Available in Satin Chrome 
or powder coat to match door finish

Verona on Euro narrow stile plates 60 series

A humble lever that blends modern simplicity with traditional curves, the Verona on a narrow stile plate works well in any design environment to create flow and a timeless feel.



Verona



Product Code

VR-PS60-E

Door Type

Hinge Door

Material

Brass

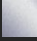
Dimensions

Overall 250h x 117.5w x 62d mm

Options

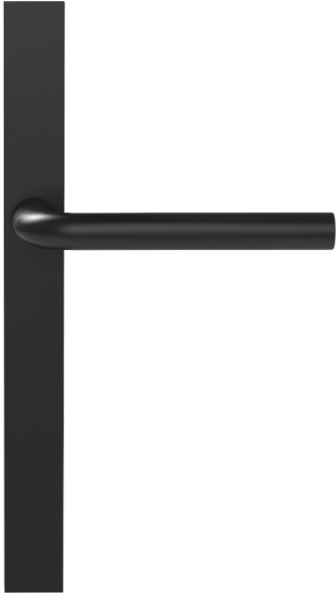
Available with or without keyhole

Colour

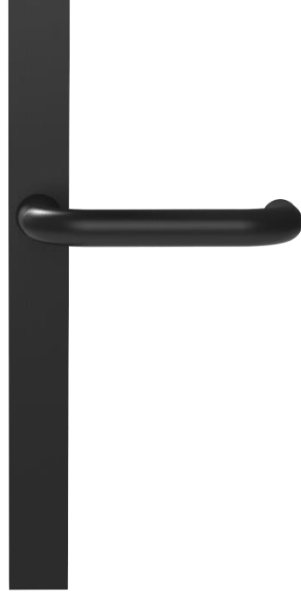
Available in Satin Chrome 
or powder coat to match door finish

Hinged Doors

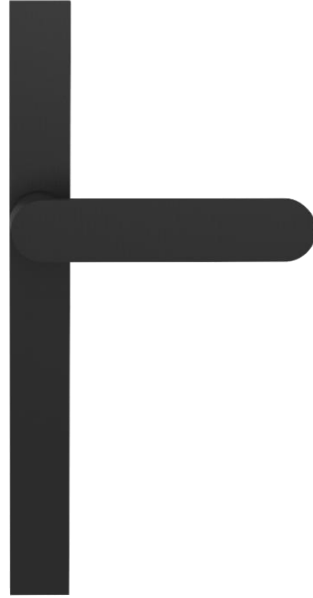
Lodden



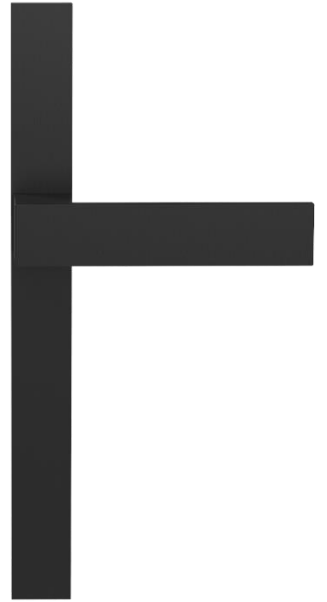
Daniela



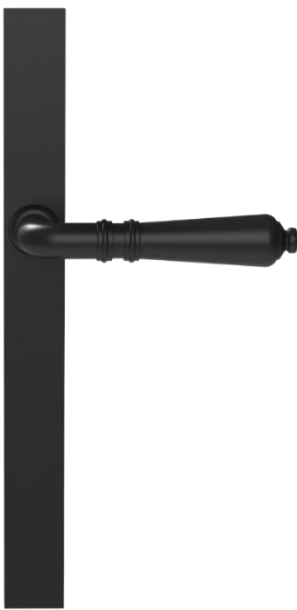
Club



Quad



Giulietta



Cilla



Prisma



Verona



SLIDING DOOR

Neo Blade Pull
200 x 32 x 10mm
Standard Hardware Option

Sleek, stylish and minimal, the Neo Blade Pulls are a striking and practical alternative to flush pulls for sliding doors.

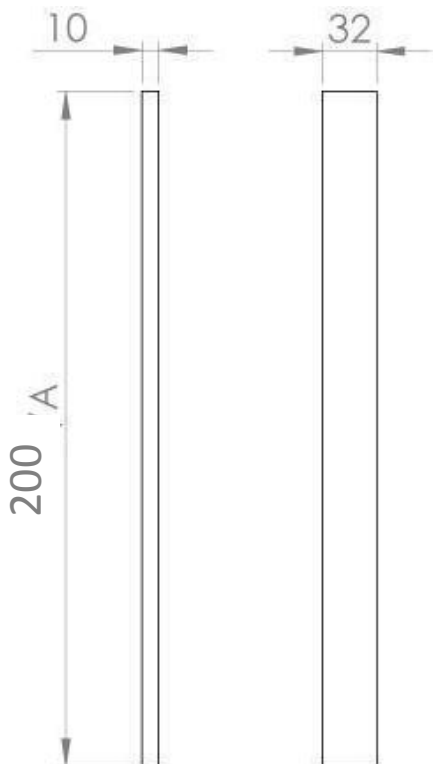


SINGLE



BACK-TO-BACK

Neo Blade Pull



Product Code

5280-200

Door Type

Sliding Door

Material

Brass

Dimensions

Overall 200h x 10w x 32d mm

Options

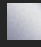
Available with Key Lock or Snib Lock

Hardware Upgrade

Designer Doorware Escutcheon

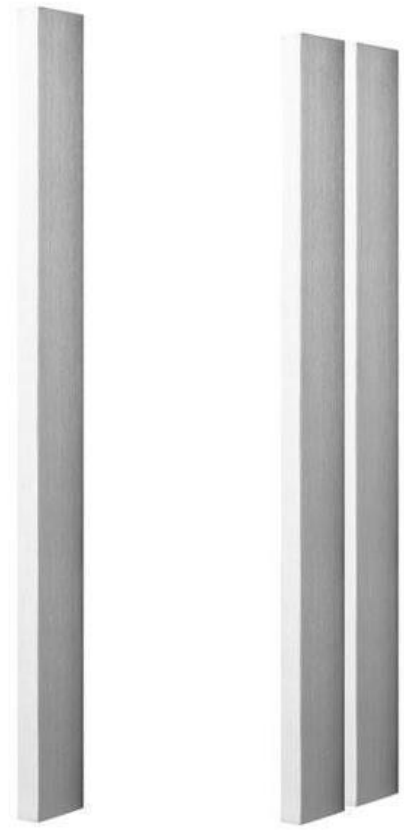
See page 17

Colour

Available in Satin Chrome 
or powder coat to match door finish

Neo Blade Pull 32 x 10mm

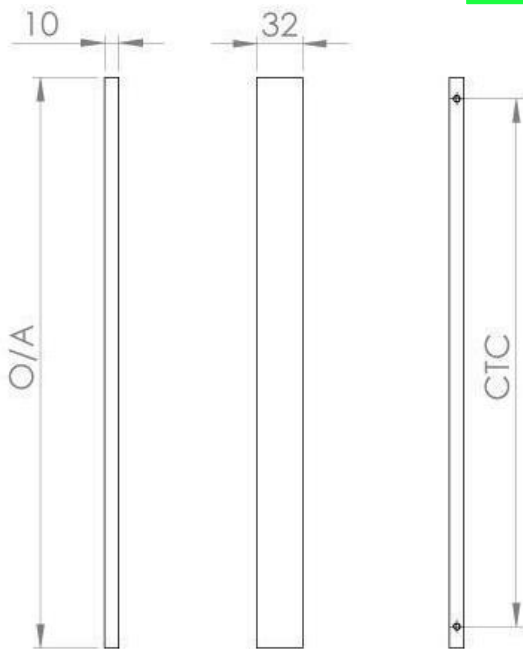
Sleek, stylish and minimal, the Neo Blade Pulls are a striking and practical alternative to flush pulls for sliding doors.



SINGLE

BACK-TO-BACK

Neo Blade Pull



PRODUCT	O/A	CTC
5280-150	150	120
5280-200	200	170
5280-300	300	270
5280-400	400	370
5280-500	500	470

Product Code

5280

Door Type

Sliding Door

Material

Brass

Dimensions

Overall 300/400/500h x 10w x 32d mm

Options

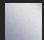
Available with Key Lock or Snib Lock

Hardware Upgrade

Designer Doorware Escutcheon

See page 17

Colour

Available in Satin Chrome 
or powder coat to match door finish

Hollow Cranked Pull Handle

Straight, square lines are a feature of this symmetrical cranked pull handle. With its neat and stylish design, it offers simplicity and practicality with its soft, rounded edges. It is particularly suited to narrow stile, and aluminium glazed doors where hand access is limited.

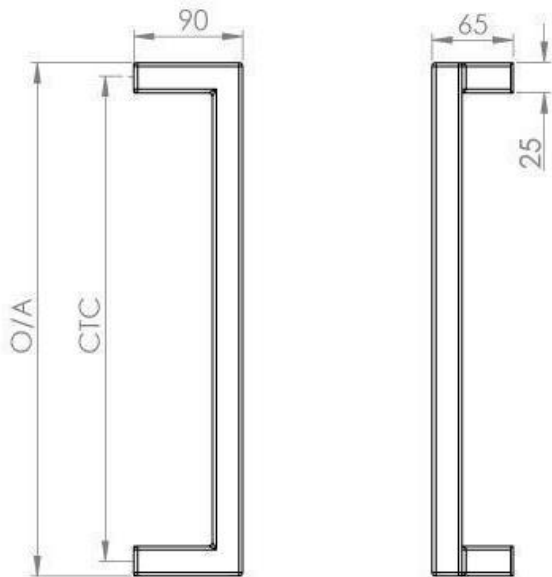


SINGLE



BACK-TO-BACK

Hollow Cranked Pull



PRODUCT	O/A	CTC
G3244-25-300	325	300
G3244-25-400	425	400
G3244-25-600	625	600
G3244-25-800	825	800
G3244-25-1000	1025	1000

Product Code

G3244

Door Type

Sliding Door

Material

316 Stainless Steel

Dimensions

325/425/625/825/1025hx 90w x 65d mm

Options

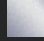
Available with Key Lock or Snib Lock

Hardware Upgrade

Designer Doorware Escutcheon

See page 17

Colour

Available in Satin Chrome 
or powder coat to match door finish

Neo Blade Pull with Cut Out 32 x 10mm

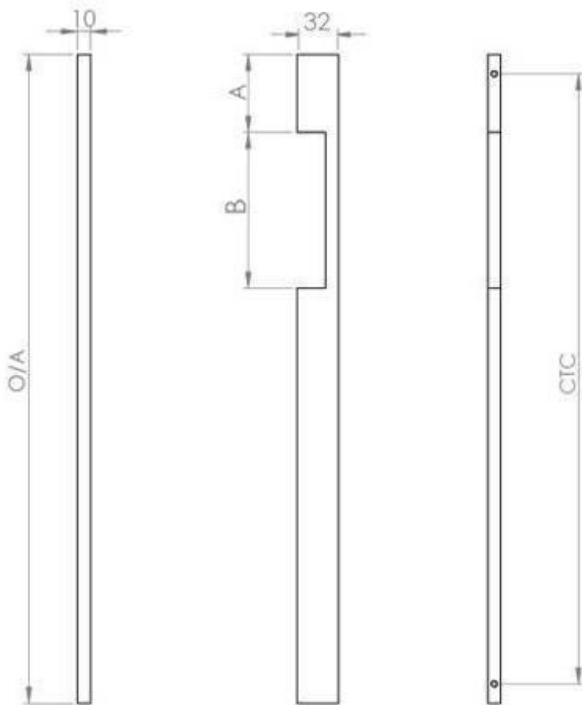
Sleek and distinctive in design, this attractive Neo Blade Pull features cut-out hand-grip that increases practicality and ease of use, whilst giving an expressive style to all doors. Available in 5 lengths, the Neo 2680 can be used in a variety of settings.



SINGLE

BACK-TO-BACK

Neo Blade Pull Cut Out



PRODUCT	O/A	CTC	A	B
6280-150	150	120	35	80
6280-200	200	170	30	100
6280-300	300	270	45	100
6280-400	400	370	60	120
6280-500	500	470	60	120

Product Code

6280

Door Type

Sliding Door

Material

Brass

Dimensions

150/200/300/400/500hx 10w x 32d mm

Options

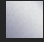
Available with Key Lock or Snib Lock

Hardware Upgrade

Designer Doorware Escutcheon

See page 17

Colour

Available in Satin Chrome 
or powder coat to match door finish

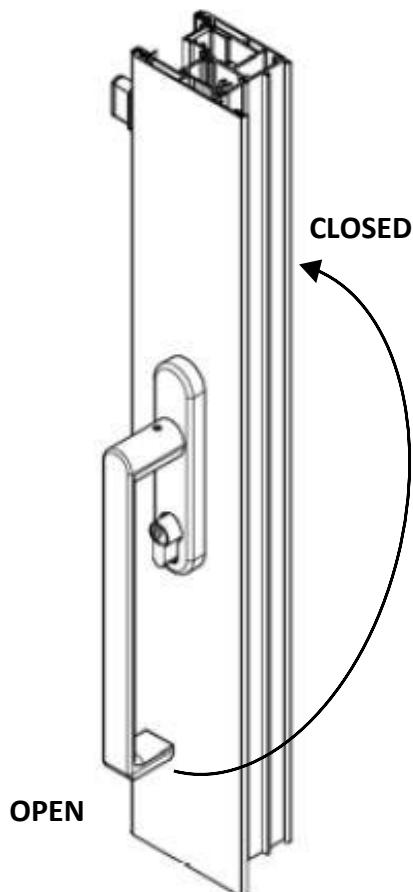
EC105LS

Lift & Slide Door

This stylish and robust Lift & Slide door handle can only be used on our EC105LS Sliding door system. It features a complete 180 degrees turning point to open and close.



EC105LS Lift & Slide



Product Code

EC105LS

Door Type

EC105 LS Sliding Door

Material

Stainless Steel

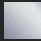
Dimensions

295h x 65d x 34w

Options

Available with Key Lock

Colour

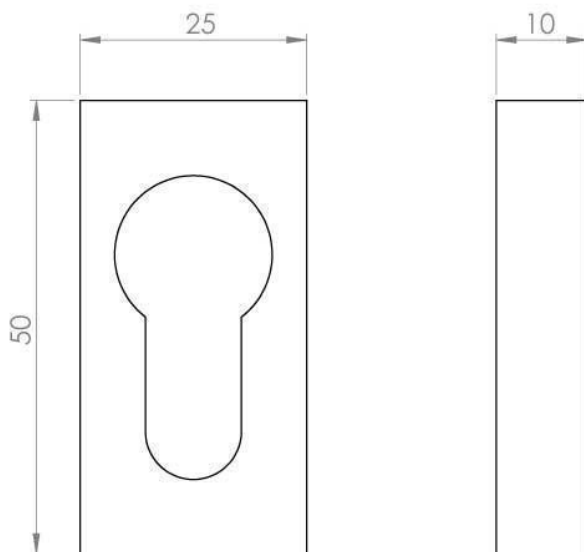
Available in Satin Chrome 
or powder coat to match door finish

Euro. Cylinder narrow style escutcheon

A narrow stile, square designed European cylinder escutcheon for a slimline and minimal look. It can be used where there's a European cylinder to be trimmed and works seamlessly with sleep entrance pull handles, or on sliding doors with Blade Pulls where space and balance takes precedence.



Escutcheon



Product Code

NE53

Door Type

Sliding and Hinge Door

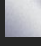
Material

Brass

Dimensions

50h x 25w x 10d mm

Colour

Available in Satin Chrome 
or powder coat to match door finish

Sliding Doors

Neo Blade Pull



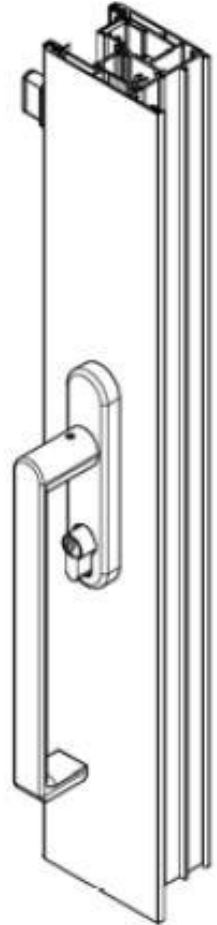
Hollow Cranked Pull



Neo Blade Pull Cut Out



Lift & Slide



Casement Windows

Giese Handle

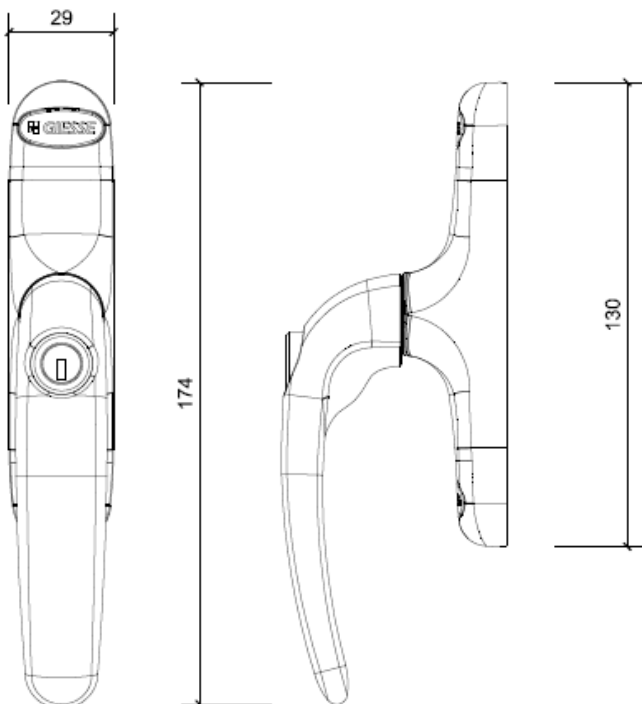
Standard hardware option

Sourced from Italy, the Giese is Thermeco's standard window handle option. Its slightly curved and sophisticated design makes it a timeless feature to any Thermeco window.



Giese

by Giese (STANDARD)



Product Code

Giese-02472

Window Type

Casement/Tilt In/Tilt & Turn

Options

Available with or without keylock

Colour

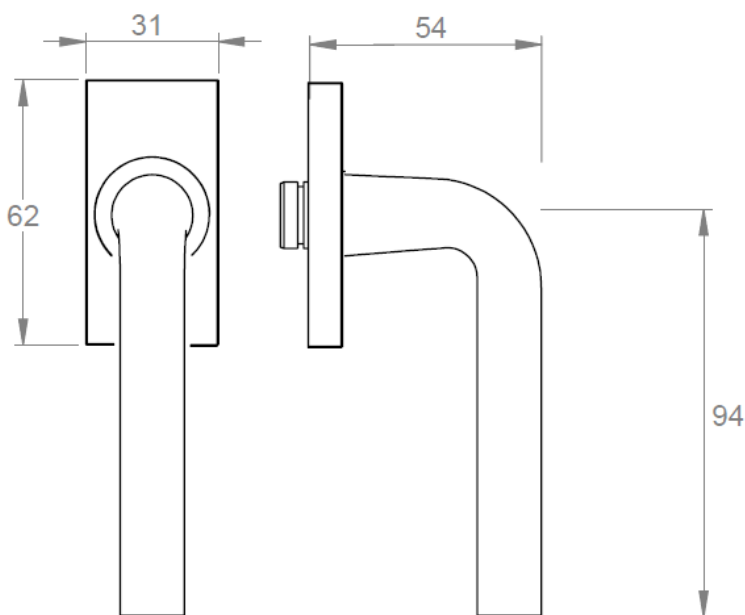
Available in Black or Silver Only

Modified Lodden on window rose

Simple, minimal and streamlined, the Lodden cylindrical window handle offers a classic style to any door. Mounted on a slimline, rectangular plate that brings a contemporary added feature to your window.



Lodden



Product Code

LO-W50

Window Type

Casement/Tilt In/Tilt & Turn

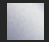
Material

Brass

Dimensions

125h x 31w x 54d

Colour

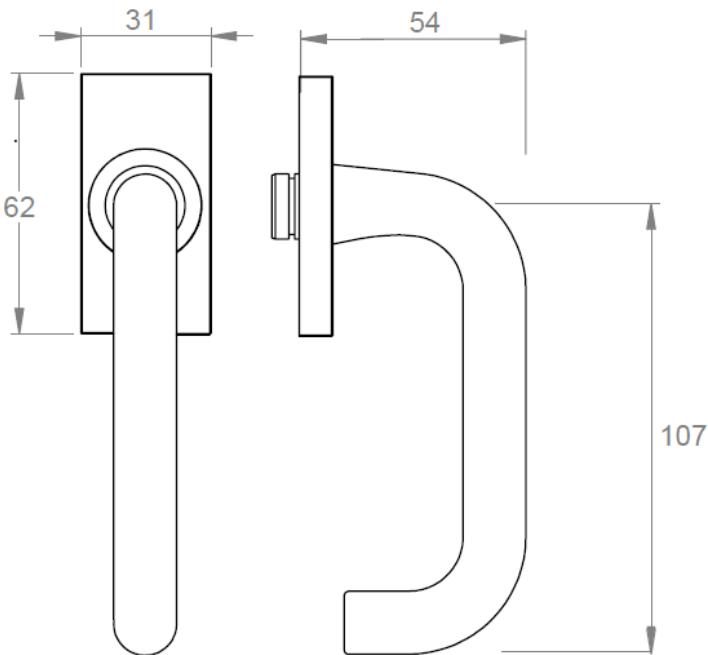
Available in Satin Chrome 
or powder coat to match door finish

Daniela on window rose

D-shaped style and highly functional, the Daniela lever window handle is perfectly suited to work place environments and designed for maximum comfort, efficiency, safety and ease of use. Mounted on a slimline, rectangular plate, it gives a contemporary added feature to your windows.



Daniela



Product Code

DA-W50

Window Type

Casement/Tilt In/Tilt & Turn

Material

Brass


Dimensions

138h x 31w x 54d

Options

Available with Key Lock or Snib Lock

Colour

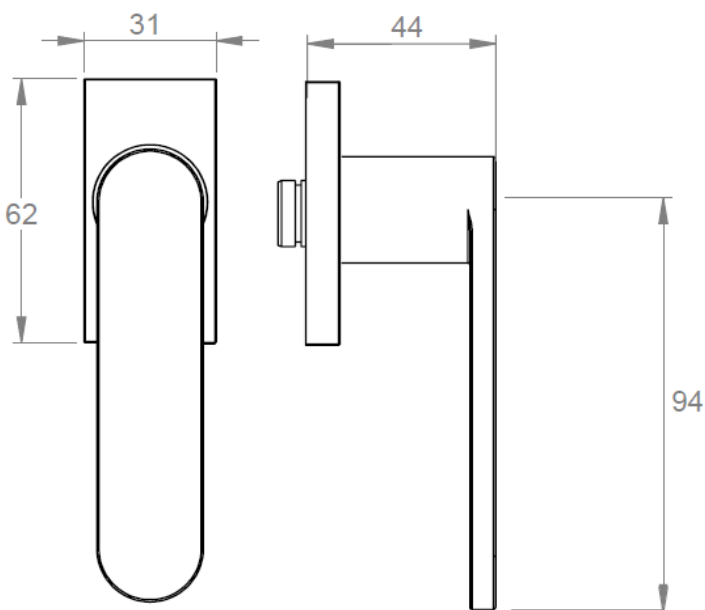
Available in Satin Chrome 
or powder coat to match door finish

Modified Club on window rose

Inheriting design pedigree from the Duo and Quad range, the Club lever blends soft contours with bold lines to add a sophisticated look to your windows.



Club



Product Code

CL-W50

Window Type

Casement/Tilt In/Tilt & Turn

Material

Brass

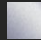
Dimensions

155w x 31w x 44d

Options

Available with Key Lock or Snib Lock

Colour

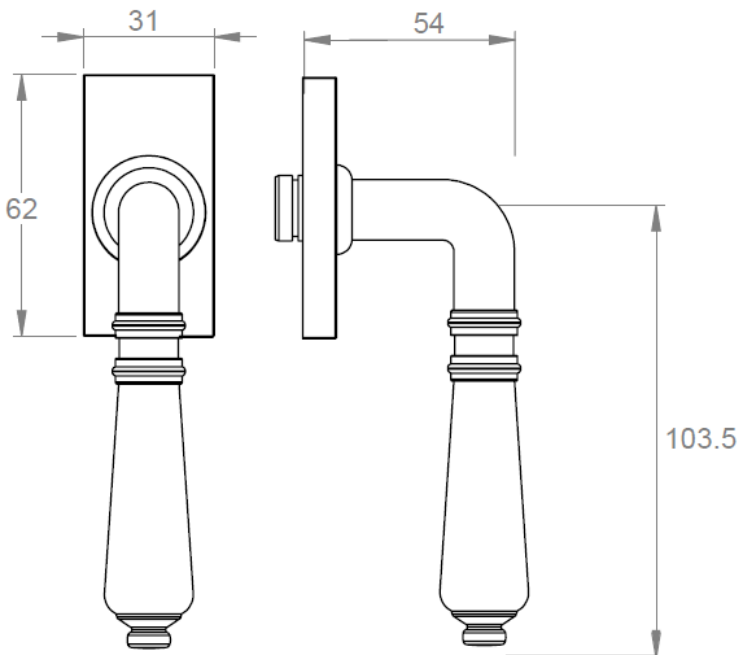
Available in Satin Chrome 
or powder coat to match door finish

Giulietta on window rose

Traditionally sculptured and detailed in design, the Giulietta lever door handle offers sophisticated styled mounted on a slimline, rectangular contemporary backplate that gives an added feature to your doors.



Giulietta



Product Code

GI-W50

Window Type

Casement/Tilt In/Tilt & Turn

Material

Brass

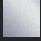
Dimensions

134.5h x 31w x 54d

Options

Available with Key Lock or Snib Lock

Colour

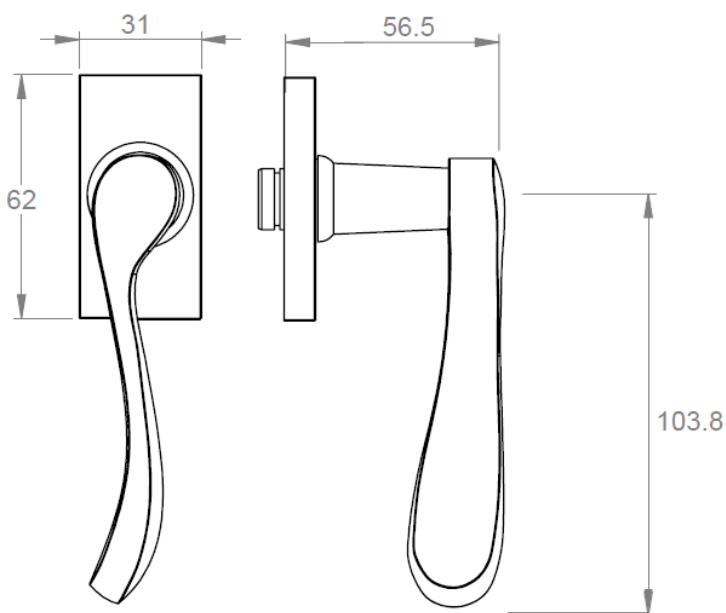
Available in Satin Chrome 
or powder coat to match door finish

Cilla on window rose

Classic and stylish, the Cilla curved lever door handle with a contemporary edge mounted on a slimline, rectangular plate that gives an added feature to your windows.



Cilla



Product Code

CI-W50

Window Type

Casement/Tilt In/Tilt & Turn

Material

Brass

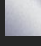
Dimensions

134.8w x 31w x 56.5d

Options

Available with Key Lock or Snib Lock

Colour

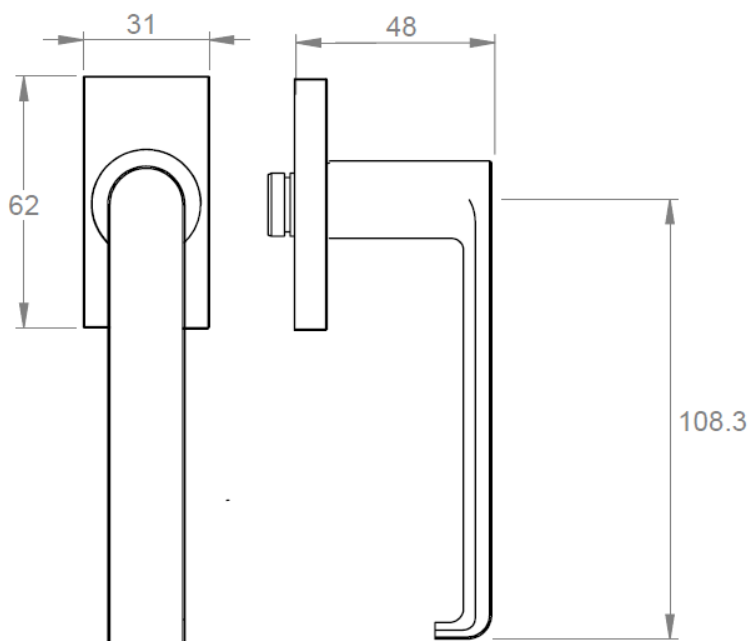
Available in Satin Chrome  or powder coat to match door finish

Prisma on window rose

A clean-cut, streamlined handle with curved lines creating a soft shape, the Prisma lever window handle brings a highly appealing aesthetic value and functionality to suit any design theme. Mounted on a slimline, rectangular plate, it gives a stunning feature to your windows.



Prisma



Product Code

PR-W50

Window Type

Casement/Tilt In/Tilt & Turn

Material

Brass

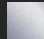
Dimensions

139.3 x 31w x 48d

Options

Available with Key Lock or Snib Lock

Colour

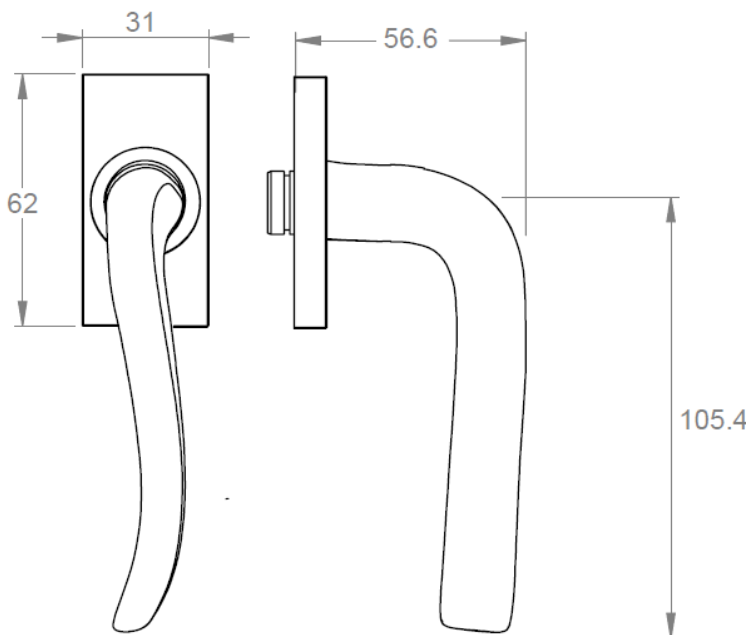
Available in Satin Chrome 
or powder coat to match door finish

Verona on window rose

A humble lever that blends modern simplicity with traditional curves, the Verona on a narrow stile plate works well in any design environment to create flow and a timeless feel.



Verona



Product Code

VR-W50

Window Type

Casement/Tilt In/Tilt & Turn

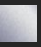
Material

Brass

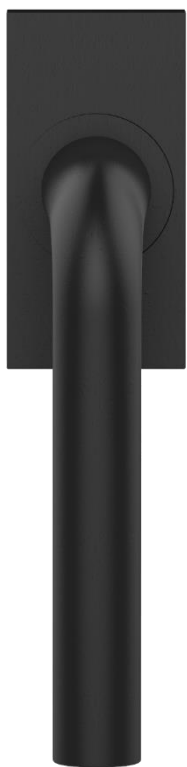
Dimensions

136.4h x 31w x 56.6d

Colour

Available in Satin Chrome 
or powder coat to match door finish

Lodden



Daniela



Club



Giulietta



Cilla



Prisma



Verona

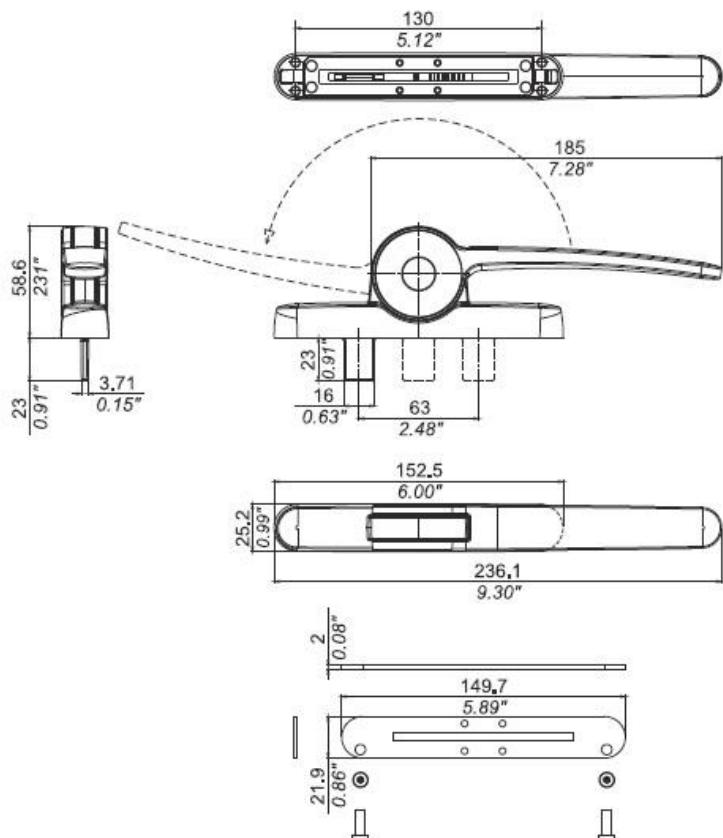


Savio OS Handle

The Savio Handle allows you to open or close the leaf by controlling all accessories with a single movement. It is a practical and ergonomic handle.



Savio Handle



Product Code

Savio-OS

Window Type

Casement & Awning

Colour

Black | Silver

Lock

This lock can be added to any hinged window that does not incorporate a lock.



Lock



Product Code

Window Lock

Window Type

Any hinged window

Dimensions

36h x 18w x 18d

Colour

Black | White | Silver



Windows for meaningful living.

15 Kelletts Road
Rowville 3178
VIC AUS

PH: +61 3 9763 1089
FAX: +61 3 9923 6263
windows@thermeco.com.au

www.thermeco.com.au